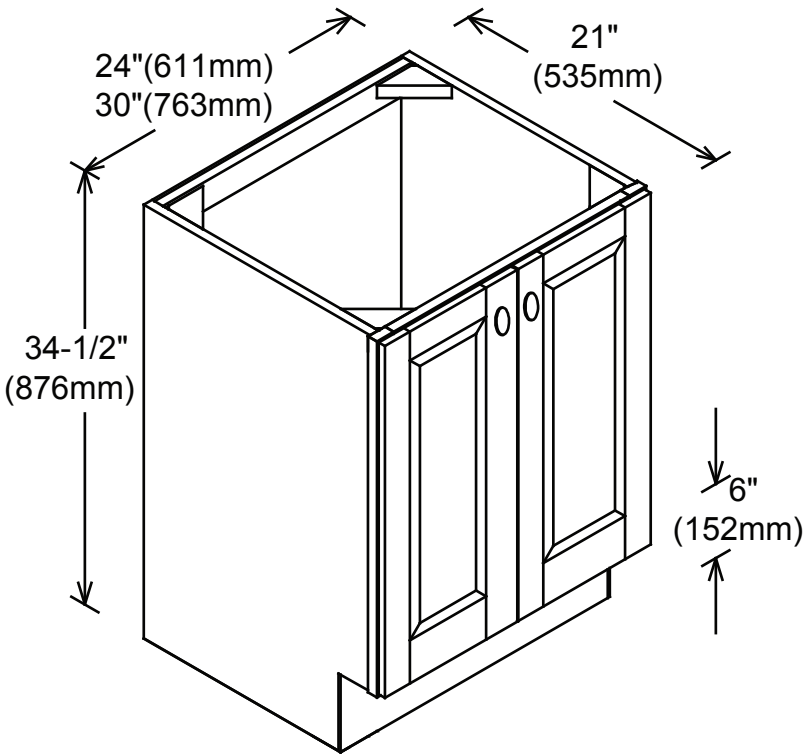
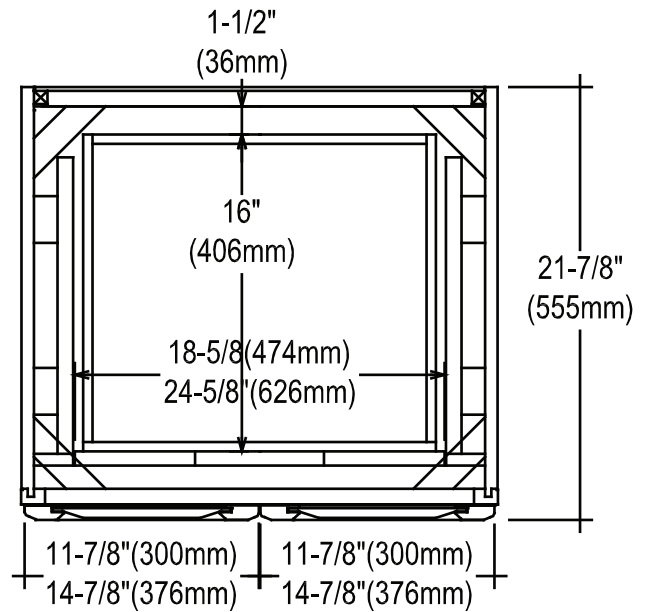


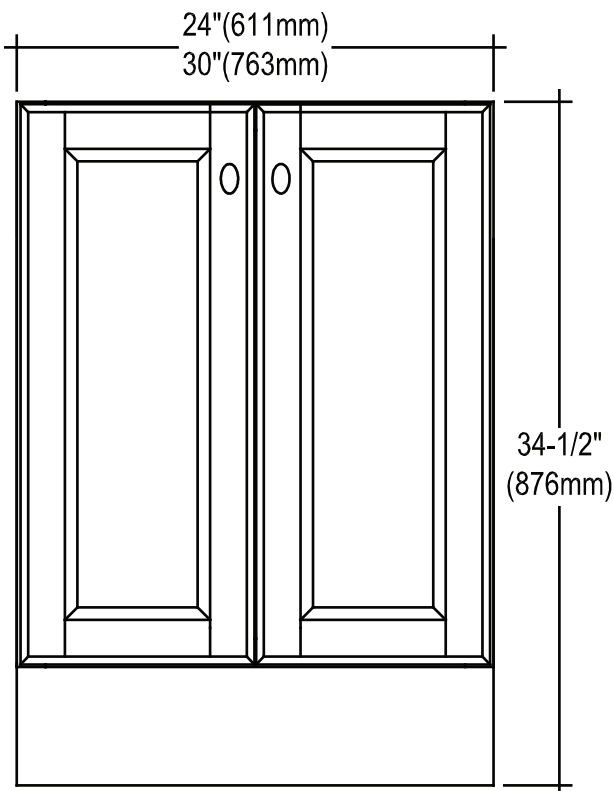
1. 3D line drawing



2. Top view line drawing



3. Front view line drawing



4. Side view line drawing

